

Original BMW Accessories.

Installation Instructions.



Park Distance Control (PDC) Retrofit Kit BMW 3 Series Coupé (E92) BMW 3 Series Convertible (E93)

These installation instructions are not valid for cars with the aerodynamics package or M sport package SA 337)

Retrofit kit No.:	66 20 0 418 636	Park Distance Control retrofit kit, rear
	66 20 0 418 637	Park Distance Control retrofit kit, front
	66 20 0 428 637	Park Distance Control retrofit kit, rear

Installation time

The installation time for the rear PDC retrofit and the front PDC upgrade/retrofit is **approx. 3.5 hours** each. If the rear PDC retrofit and the front PDC upgrade are installed at the same time, the installation time is **approx. 5.5 hours**. The installation time may vary depending on condition of the car and the equipment in it.

The vehicle must be updated to the latest I-level status by flashing before installing the retrofit. Differing programming times may be necessary depending on the production age of the vehicle and on work previously performed on the vehicle.

The installation time given does not include time needed for programming/encoding.

The total costs for the programming time should be taken into account when calculating retrofitting costs (reimbursement through warranty is not permissible).

Important information

These installation instructions are primarily designed for use within the BMW dealership organisation and by authorised BMW service companies.

In any event, the target group for these installation instructions is specialist personnel trained on BMW cars with the appropriate specialist knowledge.

All work must be completed using the latest BMW repair manuals, circuit diagrams, servicing manuals and work instructions in a rational order using the prescribed tools (special tools) and observing current health and safety regulations.

If you experience installation or function problems, limit troubleshooting to approx. 0.5 hours for mechanical or 1.0 hour for electrical work.

In order to reduce costs and avoid any additional expense, send a query immediately to the Technical Parts Support via the Aftersales Assistance Portal (ASAP).

Specify the following information:

- Chassis number
- Part number of the retrofit kit
- A precise description of the problem
- Work steps already carried out

Do not archive the hard copy of these installation instructions since daily updates are made by ASAP!

Pictograms



Denotes instructions that draw your attention to special features.

◀ Denotes the end of the instruction or other text.

Installation information

Ensure that the cables and/or lines are not kinked or damaged as you install them in the car. The costs thereby incurred will not be reimbursed by BMW AG.

Additional cables/lines that you install must be secured with cable ties.

If the specified PIN chambers are occupied, bridges, double crimps or twin-lead terminals must be used.

After the installation work, the retrofit must be programmed / coded via the **Retrofit** or **Conversion** path.

All pictures show LHD cars; proceed accordingly on RHD cars.

Ordering instructions

Check colour versions and technical equipment. The following parts are not supplied in the kits and must be ordered separately (see EPC for part number and details).

For rear PDC retrofit

- Control unit **D**
- Sensors **I**

For front PDC upgrade/retrofit

- Control unit **P**
- Sensors **T**
- Clip trim **Y**
- Centre console switch centre **Z**

List of special equipment

The following special equipment must be taken into consideration when installing the retrofit kit:

- SA 235** Towing hitch
- SA 507** Park Distance Control (PDC), rear
- SA 606** Business navigation system
- SA 609** Professional navigation system
- SA 663** BMW Professional radio

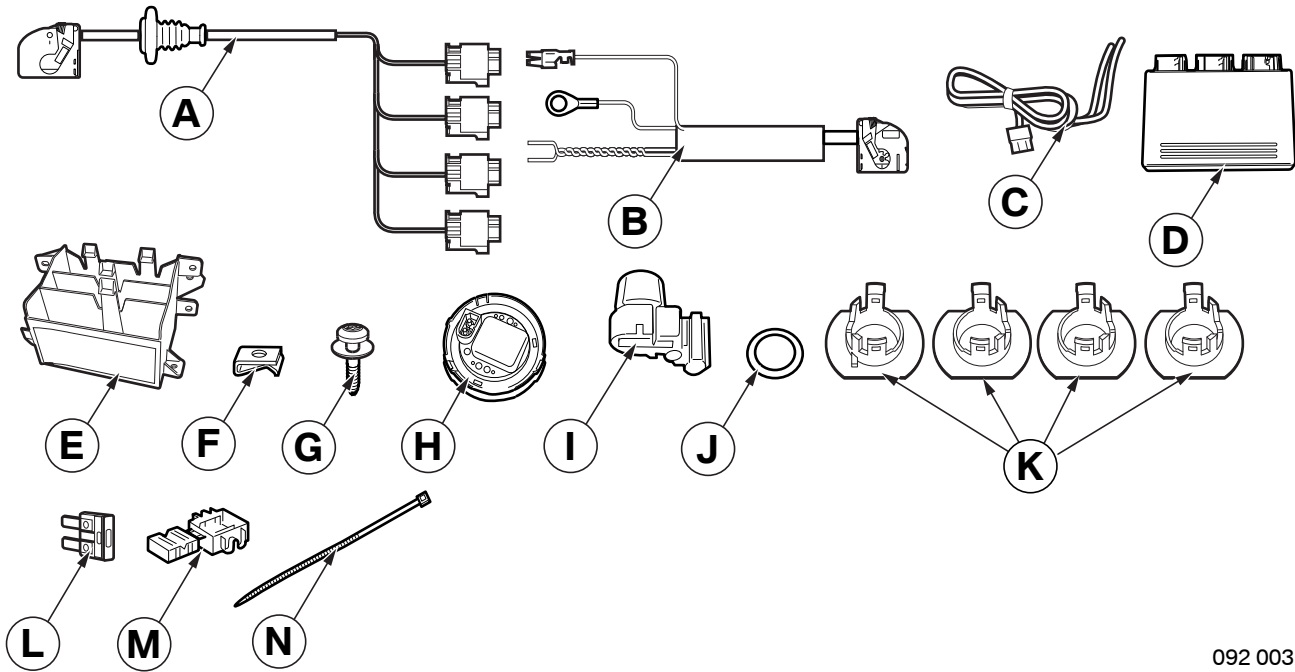
Special tools required

00 9 317, Installation wedges

Table of contents

Section	Page
1. Rear PDC retrofit parts list (E92 only)	4
2. Rear PDC retrofit parts list (E93 only)	5
3. Front PDC upgrade/retrofit parts list	6
4. Preparatory work (E92 only)	7
5. Preparatory work (E93 only)	8
6. Rear PDC retrofit connection diagram	9
7. Front PDC upgrade/retrofit connection diagram	10
8. Rear PDC retrofit installation and cabling diagram (E92 only)	12
9. Rear PDC retrofit installation and cabling diagram (E93 only)	13
10. Front PDC upgrade/retrofit installation and cabling diagram (E92 only)	14
11. Front PDC upgrade/retrofit installation and cabling diagram (E93 only)	15
12. Installing the sensors at the rear (rear PDC retrofit)	16
13. Installing the front sensors (front PDC upgrade/retrofit)	17
14. Installing the signal generator (cars built before 09/07 without SA 606/609/663 only)	18
15. Installing the control module (E92 only)	19
16. Installing the control module (E93 only)	20
17. Installing and connecting the rear PDC wiring harnesses (E92 only)	21
18. Installing and connecting the rear PDC wiring harnesses (E93 only)	22
19. Connecting power supply	24
20. Installing and connecting the front PDC wiring harness (all cars)	26
21. Installing and connecting the front PDC wiring harnesses (E92 only)	27
22. Installing and connecting the front PDC wiring harnesses (E93 only)	28
23. Installing the centre console switch centre (front PDC upgrade/retrofit)	29
24. Concluding work and coding	30
25. Front and rear PDC circuit diagram	31

1. Rear PDC retrofit parts list (E92 only)

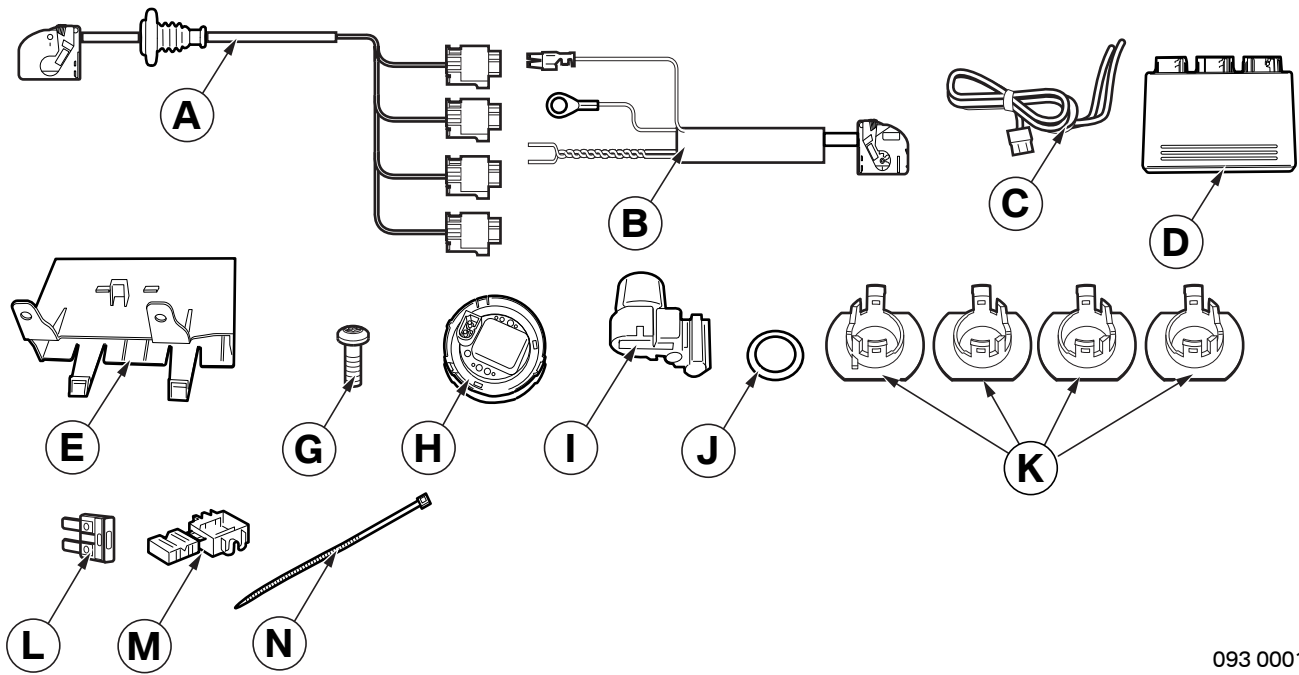


092 0032 Z

Legend

- A** Rear PDC wiring harness
- B** Supply cable
- C** Signal generator cable (for cars built **before 09/07** without SA 606/609/663 only)
- D** Control unit (not supplied in the retrofit kit)
- E** Module holder
- F** Speed nut (3x)
- G** Self-tapping screw 4.8 x 16 mm (3x)
- H** Rear signal generator (for cars built **before 09/07** without SA 606/609/663 only)
- I** Sensor (4x, not supplied in the retrofit kit)
- J** Disconnecting ring (4x)
- K** Sensor holder (4x, different coding)
- L** Fusible link 5 A
- M** Miniature connector (3x)
- N** Cable tie 200 x 3.6 mm (20x)

2. Rear PDC retrofit parts list (E93 only)

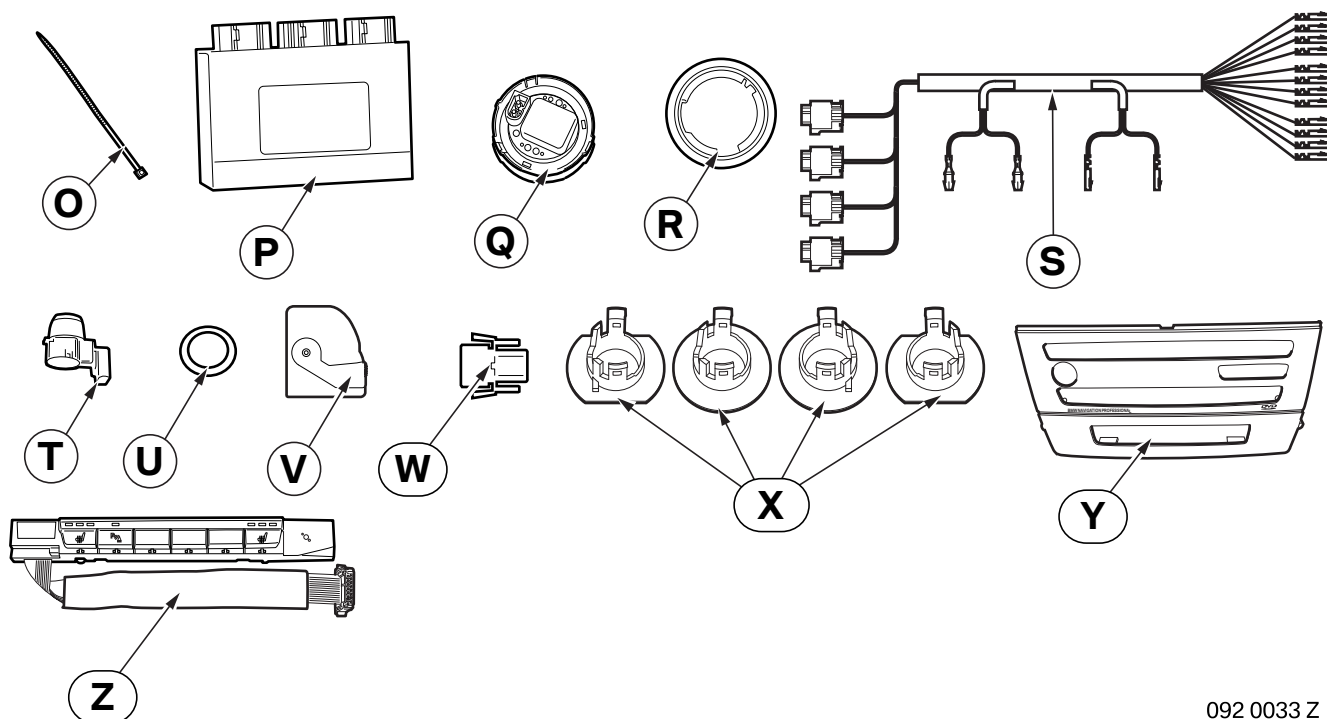


093 0001 Z

Legend

- A** Rear PDC wiring harness
- B** Supply cable
- C** Signal generator cable (for cars built **before 09/07** without SA 606/609/663 only)
- D** Control unit (not supplied in the retrofit kit)
- E** Module holder
- F** Part deleted
- G** Screw M5 x 12 mm (2x)
- H** Rear signal generator (for cars built **before 09/07** without SA 606/609/663 only)
- I** Sensor (4x, not supplied in the retrofit kit)
- J** Disconnecting ring (4x)
- K** Sensor holder (4x, different coding)
- L** Fusible link 5 A
- M** Miniature connector (3x)
- N** Cable tie 200 x 3.6 mm (20x)

3. Front PDC upgrade/retrofit parts list



092 0033 Z

Legend

- O** Cable tie 200 x 3.6 mm (20x)
- P** Control unit (not supplied in the upgrade kit)
- Q** Front signal generator (for cars built **before 09/07** without SA 606/609/663 only)
- R** Adapter (for cars built **before 09/07** without SA 606/609/663 only)
- S** Front PDC wiring harness
- T** Sensor (4x, not supplied in the upgrade kit)
- U** Disconnecting ring (4x)
- V** SW 18-pin socket casing
- W** SW 2-pin socket casing (for cars built **before 09/07** without SA 606/609/663 only)
- X** Sensor holder (4x, different coding)
- Y** Trim (for cars without centre console switch centre, not supplied in upgrade kit)
- Z** Centre console switch centre (not supplied in the retrofit kit)

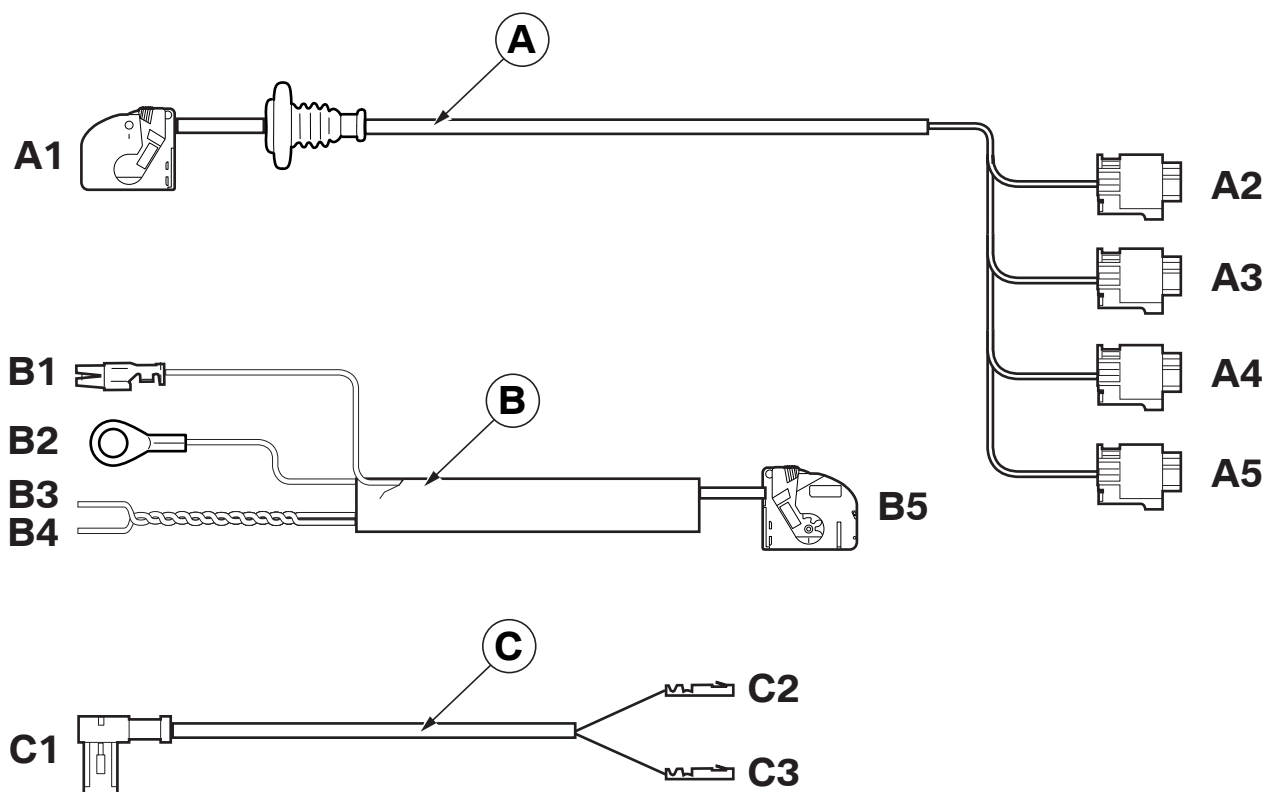
4. Preparatory work (E92 only)

	TIS No.
Conduct a brief test	---
Disconnect negative pole of battery	12 00 ...
The following components must be removed first of all	
Rear PDC retrofit	
Rear bumper trim	51 12 000
Luggage compartment floor trim	51 47 101
Right luggage compartment wheel arch trim	51 47 161
Side trim at rear right (for cars built before 09/07 without SA 606/609/663 only)	51 43 002
Backrest side section, rear seat, right	52 26 008
Door sill strip, rear (interior) right	51 47 030
Door sill strip, front (interior) right	51 47 000
Side footwell trim on right A pillar	51 43 070
Trim at the bottom right of the dashboard	51 45 181
Glovebox	51 16 366
Release fuse holder	---
Front PDC upgrade/retrofit	
Front bumper trim	51 11 000
Trim at the bottom right of the dashboard	51 45 181
Pedal trim (for cars built before 09/07 without SA 606/609/663 only)	51 45 185
Side footwell trim on right A pillar	51 43 070
Heating/air-conditioning control	64 11 377
Switch centre, centre console	61 31 052/054
Door sill strip, front (interior) right	51 47 000
Door sill strip, rear (interior) right	51 47 030
Backrest side section, rear seat, right	52 26 008
Luggage compartment floor trim	51 47 101
Right luggage compartment wheel arch trim	51 47 161

5. Preparatory work (E93 only)

	TIS No.
Conduct a brief test	---
Disconnect negative pole of battery	12 00 ...
The following components must be removed first of all	
Rear PDC retrofit	
Rear bumper trim	51 12 000
Luggage compartment floor trim	51 47 101
Right luggage compartment wheel arch trim	51 47 161
Rear seat	52 24 005
Rear seat backrest	52 24 010
Rear backrest partition	---
Side trim bottom part at rear right (for cars built before 09/07 without SA 606/609/663 only)	51 43 015
Door sill strip, front (interior) right	51 47 000
Side footwell trim on right A pillar	51 43 070
Trim at the bottom right of the dashboard	51 45 181
Glovebox	51 16 366
Release fuse holder	---
Front PDC upgrade/retrofit	
Front bumper trim	51 11 000
Trim at the bottom right of the dashboard	51 45 181
Pedal trim (for cars built before 09/07 without SA 606/609/663 only)	51 45 185
Side footwell trim on right A pillar	51 43 070
Heating/air-conditioning control	64 11 377
Switch centre, centre console	61 31 052/054
Door sill strip, front (interior) right	51 47 000
Rear seat	52 24 005
Rear seat backrest	52 24 010
Rear backrest partition	---

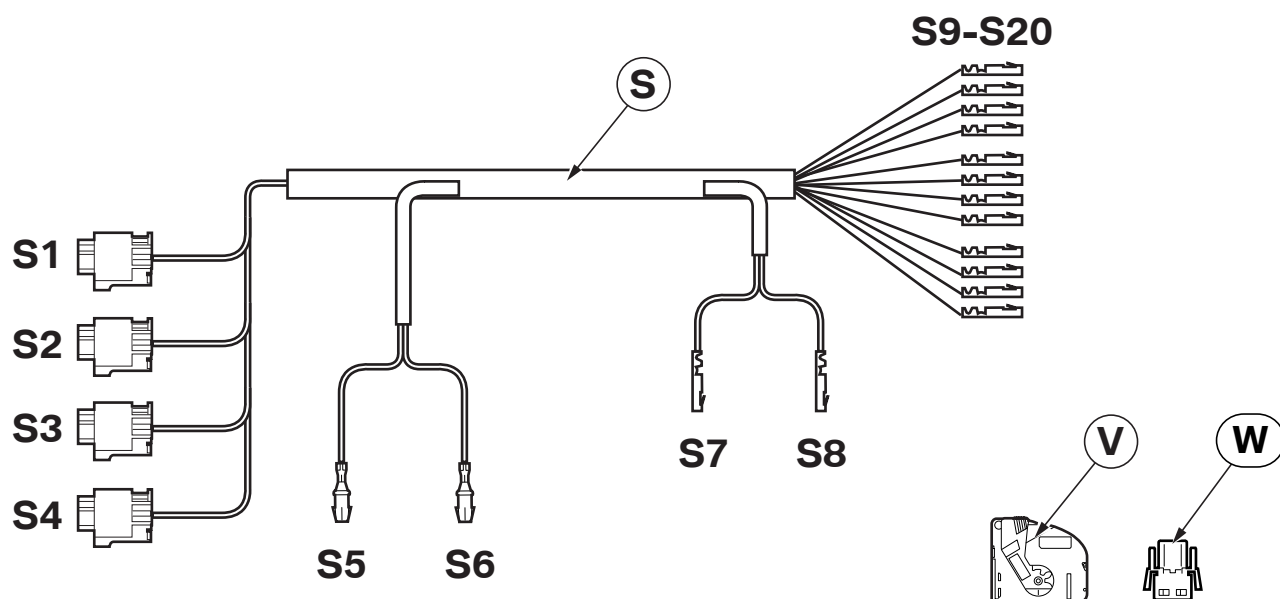
6. Rear PDC retrofit connection diagram



090 0173 Z

Branch/Item	Designation	Signal	Cable colour / Cross-section	Connection site in the car	Abbreviation / Slot
A	Rear PDC wiring harness	---	---	---	---
A1	Natural 18-pin socket casing	---	---	On control unit D	X18013
A2	SW 3-pin socket casing	---	---	On sensor I , rear right outside	X18023
A3	SW 3-pin socket casing	---	---	On sensor I , rear right inside	X18022
A4	SW 3-pin socket casing	---	---	On sensor I , rear left inside	X18021
A5	SW 3-pin socket casing	---	---	On sensor I , rear left outside	X18020
B	Supply cable	---	---	---	---
B1	Double flat spring contact	Terminal 15	GN/WS 0.50 mm ²	Cars built before 03/07 only To fuse holder A4010 , 15-pin BL plug Cars built after 03/07 only To fuse holder A4010 , 15-pin BL plug	X11003 PIN 8 X11001 PIN 7
B2	Eyelet M6	Terminal 31	Brown/black 0.50 mm ²	On joint connector, in footwell on passenger side	X10012
B3	Twisted cable	CAN high	OR/GN 0.35 mm ²	To standard wiring harness, in footwell on passenger side	X15001
B4	Twisted cable	CAN low	GN 0.35 mm ²	To standard wiring harness, in footwell on passenger side	X15002
B5	SW 12-pin socket casing	---	---	On control unit D	X300
C	Signal generator cable	---	---	For cars built before 09/07 without SA 606/609/663 only	---
C1	SW 2-pin socket casing	---	---	On rear signal generator H	X14279
C2	Socket contact	LS_HI+	BL/GN 0.35 mm ²	With branch B5 on control unit D	X300 PIN 4
C3	Socket contact	LS_HI-	SW/GN 0.35 mm ²	With branch B5 on control unit D	X300 PIN 10

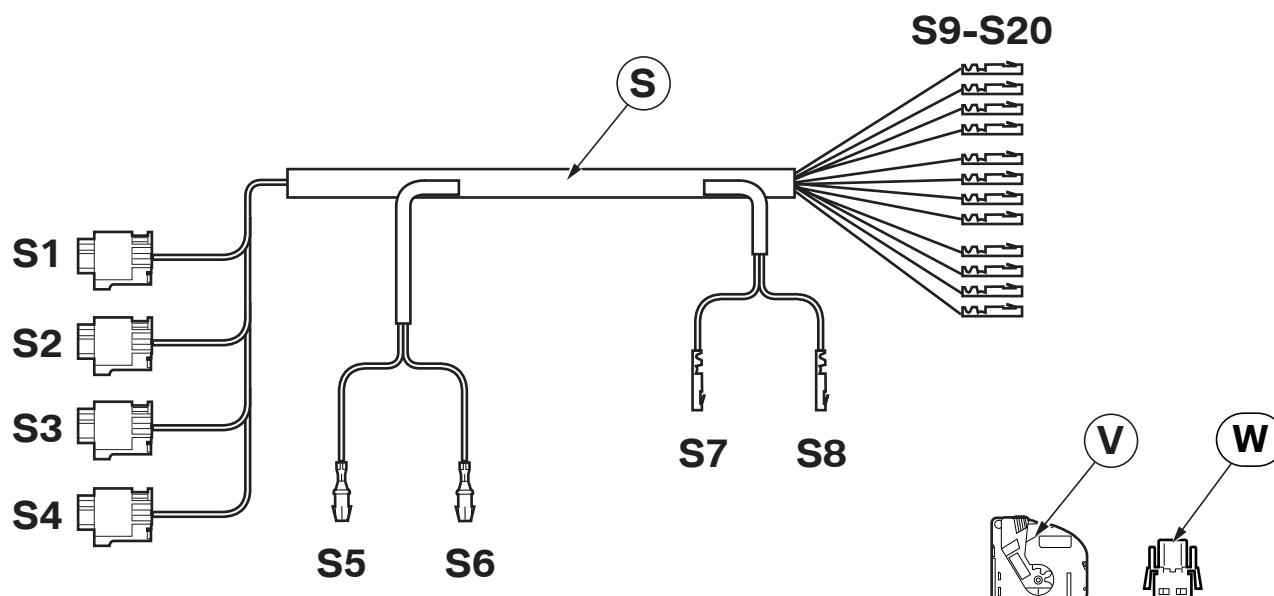
7. Front PDC upgrade/retrofit connection diagram



092 0056 Z

Branch/Item	Designation	Signal	Cable colour / Cross-section	Connection site in the car	Abbreviation / Slot
S	Front PDC wiring harness	---	---	---	---
S1	SW 3-pin socket casing	---	---	On sensor T , front right outside	X18019
S2	SW 3-pin socket casing	---	---	On sensor T , front right inside	X18018
S3	SW 3-pin socket casing	---	---	On sensor T , front left inside	X18017
S4	SW 3-pin socket casing	---	---	On sensor T , front left outside	X18016
S5	Socket contact, 2.5 mm	LS_VO+	BL/GR 0.35 mm ²	Only for cars built before 09/07 without SA 606/609/663 With socket casing W on front signal generator Q Only for cars built after 09/07 or with SA 606/609/663 Insulate and tie back	X14278 PIN 1 ---
S6	Socket contact, 2.5 mm	LS_VO-	SW/RT 0.35 mm ²	Only for cars built before 09/07 without SA 606/609/663 With socket casing W on front signal generator Q Only for cars built after 09/07 or with SA 606/609/663 Insulate and tie back	X14278 PIN 2 ---
S7	Socket contact	LS_VO+	BL/GR 0.35 mm ²	Only for cars built before 09/07 without SA 606/609/663 With branch B5 to the control module P Only for cars built after 09/07 or with SA 606/609/663 Insulate and tie back	X300 PIN 5 ---
S8	Socket contact	LS_VO-	SW/RT 0.35 mm ²	Only for cars built before 09/07 without SA 606/609/663 With branch B5 to the control module P Only for cars built after 09/07 or with SA 606/609/663 Insulate and tie back	X300 PIN 11 ---

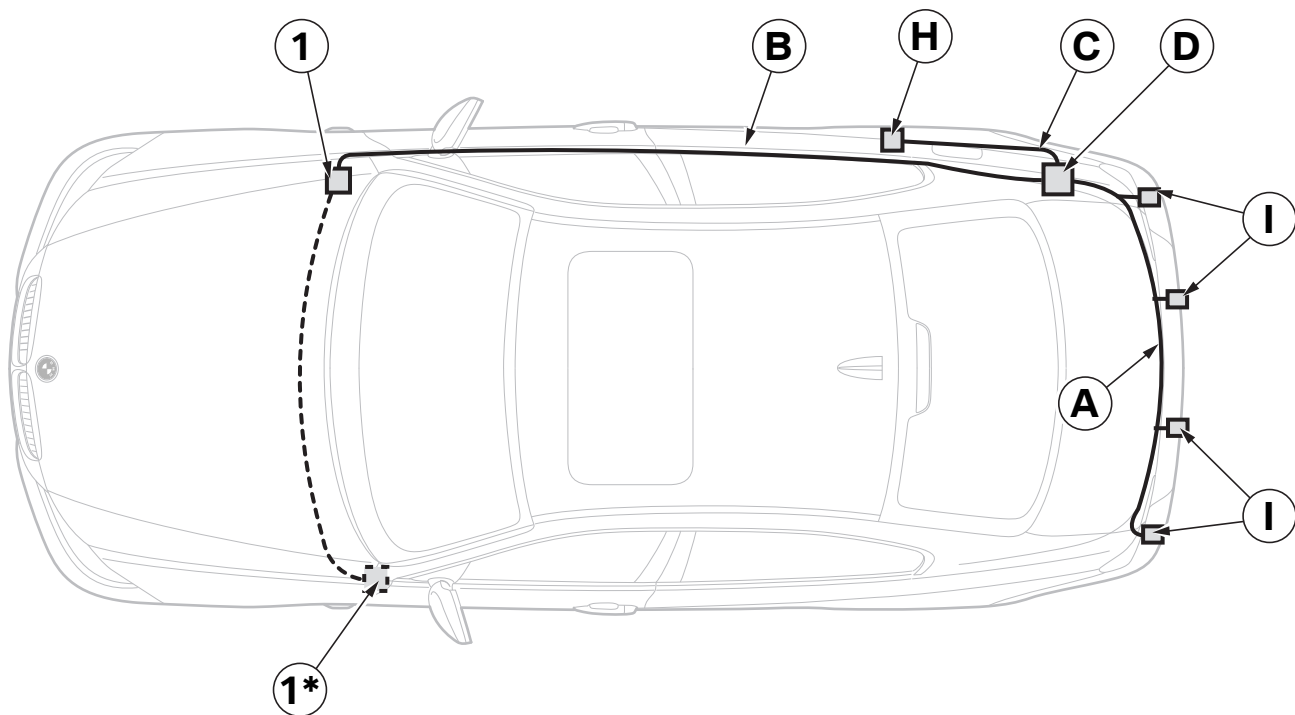
7. Front PDC upgrade/retrofit connection diagram



092 0056 Z

Branch/Item	Designation	Signal	Cable colour / Cross-section	Connection site in the car	Abbreviation / Slot
S9	Socket contact	U_WVR	GN/VI 0.35 mm ²	With socket casing V to control unit P	X18362 PIN 8
S10	Socket contact	M_WVR	BR/GE 0.35 mm ²	With socket casing V to control unit P	X18362 PIN 11
S11	Socket contact	D_WVR	GE/BR 0.35 mm ²	With socket casing V to control unit P	X18362 PIN 17
S12	Socket contact	U_WVMR	GN/GR 0.35 mm ²	With socket casing V to control unit P	X18362 PIN 7
S13	Socket contact	M_WVMR	BR/BL 0.35 mm ²	With socket casing V to control unit P	X18362 PIN 10
S14	Socket contact	D_WVMR	GE/SW 0.35 mm ²	With socket casing V to control unit P	X18362 PIN 16
S15	Socket contact	U_WVML	GN/BR 0.35 mm ²	With socket casing V to control unit P	X18362 PIN 6
S16	Socket contact	M_WVML	Brown/black 0.35 mm ²	With socket casing V to control unit P	X18362 PIN 3
S17	Socket contact	D_WVML	GE/GN 0.35 mm ²	With socket casing V to control unit P	X18362 PIN 15
S18	Socket contact	U_WVL	GN/SW 0.35 mm ²	With socket casing V to control unit P	X18362 PIN 5
S19	Socket contact	M_WVL	BR/WS 0.35 mm ²	With socket casing V to control unit P	X18362 PIN 2
S20	Socket contact	D_WVL	GE/GR 0.35 mm ²	With socket casing V to control unit P	X18362 PIN 14
V	SW 18-pin socket casing	---	---	To control unit P	X18362
W	SW 2-pin socket casing	---	---	For cars built before 09/07 without SA 606/609/663 only On front signal generator Q	X14278

8. Rear PDC retrofit installation and cabling diagram (E92 only)



092 0034 Z

Legend

- A** Rear PDC wiring harness
- B** Supply cable
- C** Signal generator cable (for cars built before 09/07 without SA 606/609/663 only)
- D** Control unit
- H** Rear signal generator (for cars built before 09/07 without SA 606/609/663 only)
- I** Sensors

1 LHD cars only

Terminal 15 pick-up on fuse holder, plug **X11003** or **X11003**

Terminal 31 pick-up on joint connector **X10012**

CAN high and CAN low pick-up on standard wiring harness **X15001** and **X15002**

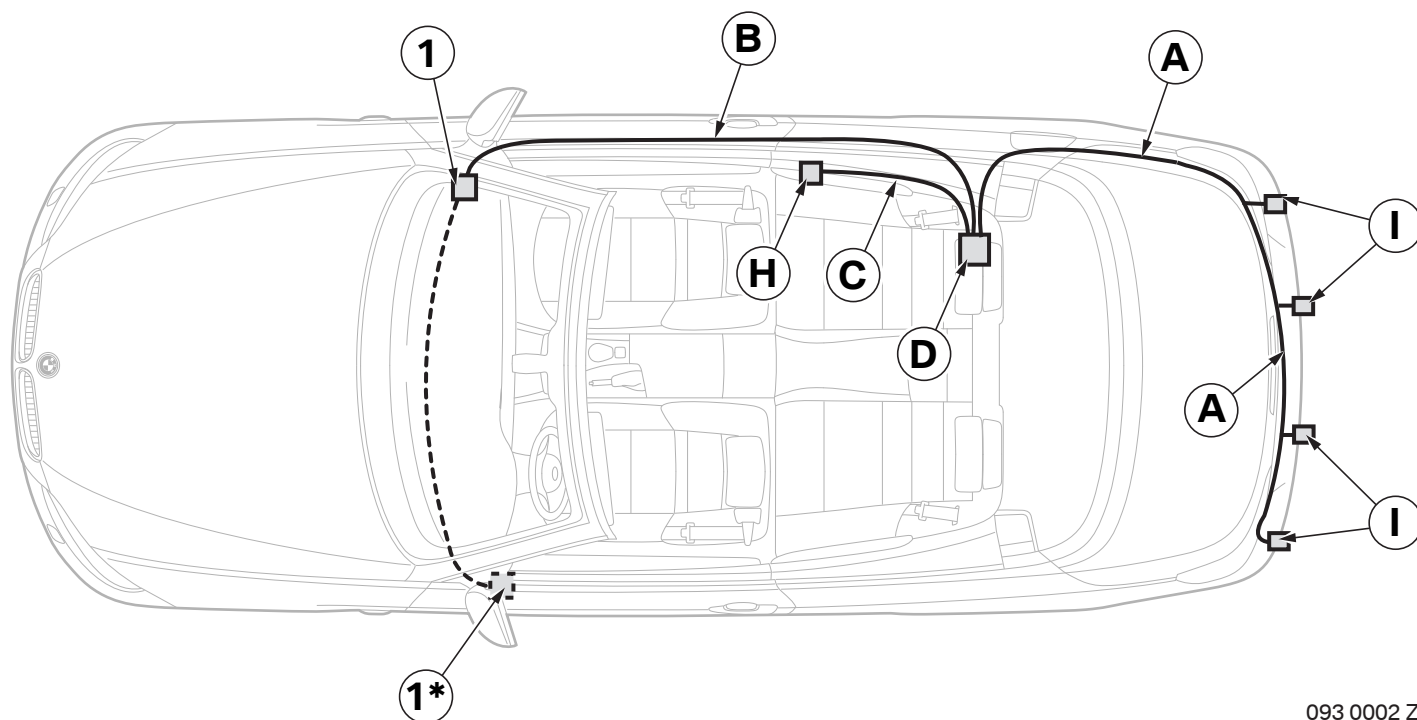
1* RHD cars only

Terminal 15 pick-up on fuse holder, plug **X11003** or **X11003**

Terminal 31 pick-up on joint connector **X10012**

CAN high and CAN low pick-up on standard wiring harness **X15001** and **X15002**

9. Rear PDC retrofit installation and cabling diagram (E93 only)



093 0002 Z

Legend

- A** Rear PDC wiring harness
- B** Supply cable
- C** Signal generator cable (for cars built before 09/07 without SA 606/609/663 only)
- D** Control unit
- H** Rear signal generator (for cars built before 09/07 without SA 606/609/663 only)
- I** Sensors

1 LHD cars only

Terminal 15 pick-up on fuse holder, plug **X11001**

Terminal 31 pick-up on joint connector **X10012**

CAN high and CAN low pick-up on standard wiring harness **X15001** and **X15002**

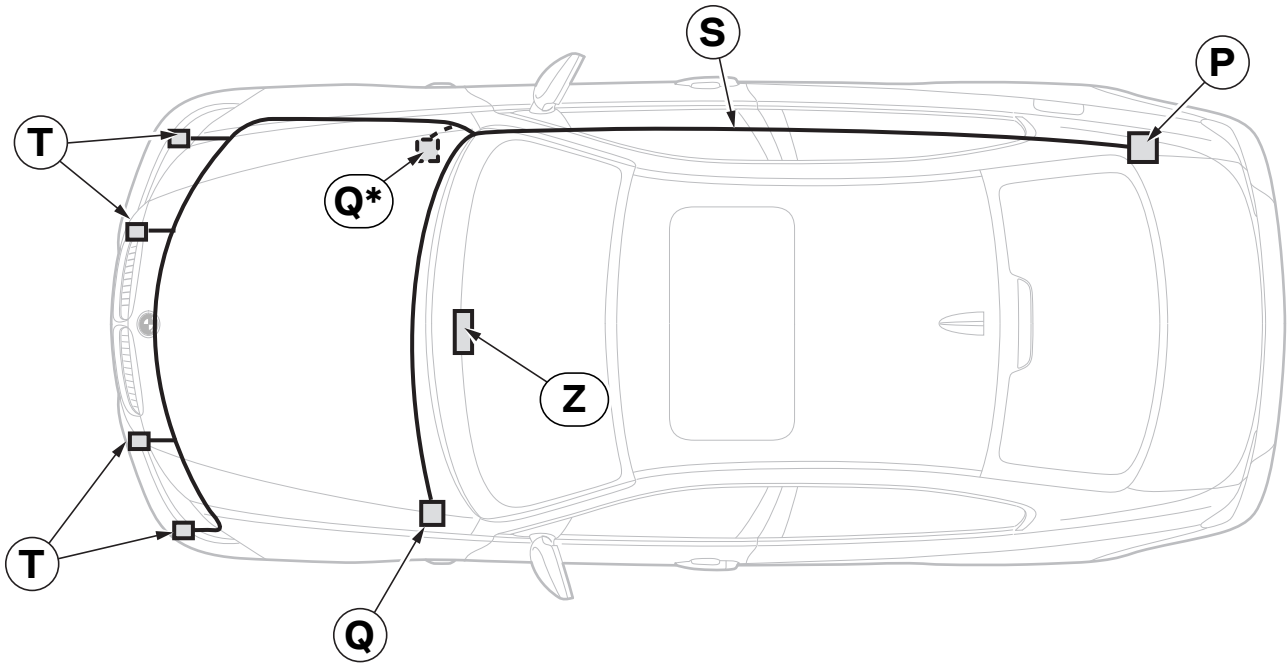
1* RHD cars only

Terminal 15 pick-up on fuse holder, plug **X11001**

Terminal 31 pick-up on joint connector **X10012**

CAN high and CAN low pick-up on standard wiring harness **X15001** and **X15002**

10. Front PDC upgrade/retrofit installation and cabling diagram (E92 only)

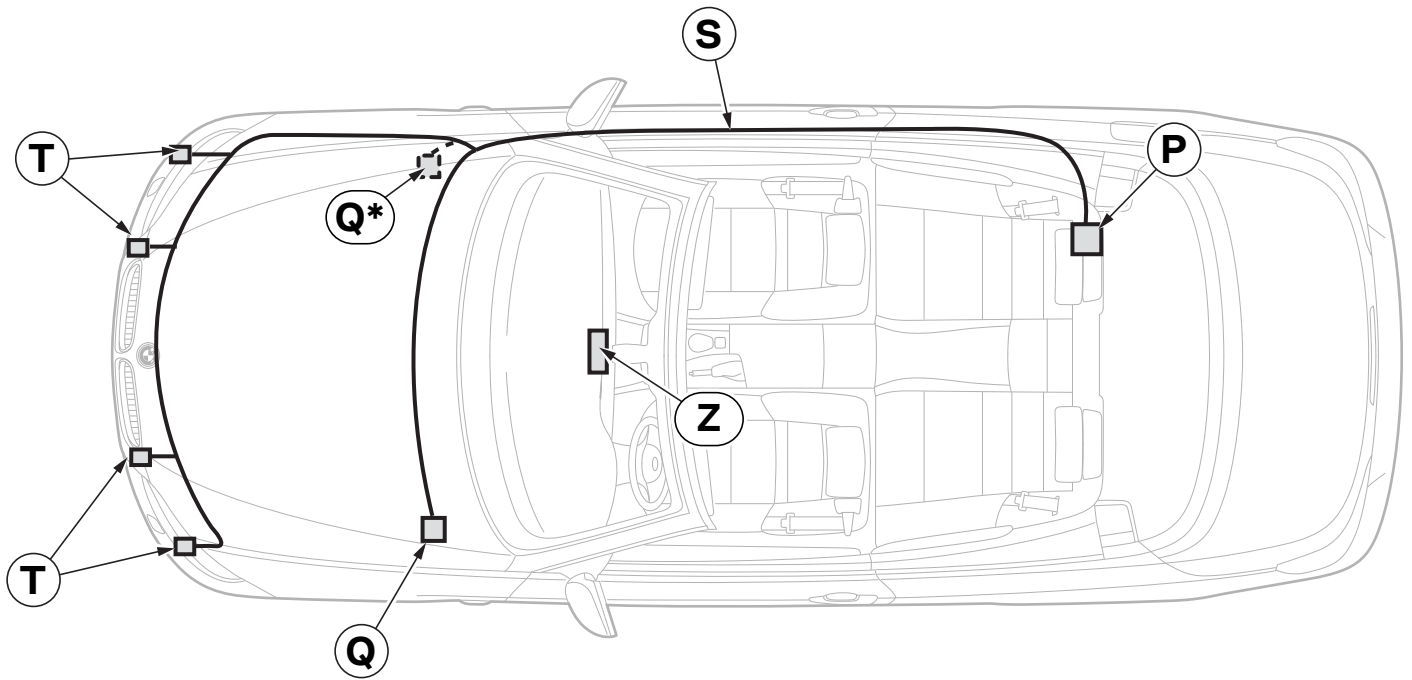


092 0035 Z

Legend

- P** Control unit
- Q** **For LHD cars built before 09/07 without SA 606/609/663 only**
Signal generator front
- Q*** **For RHD cars built before 09/07 without SA 606/609/663 only**
Signal generator front
- S** Front PDC wiring harness
- T** Sensors
- Z** Switch centre, centre console

11. Front PDC upgrade/retrofit installation and cabling diagram (E93 only)

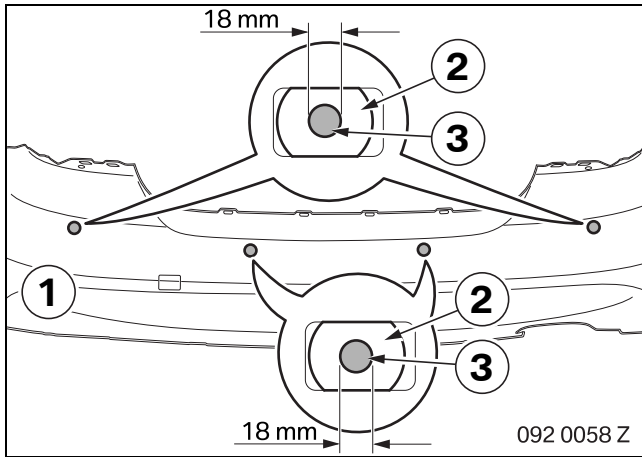


093 0003 Z

Legend

- P** Control unit
- Q** **For LHD cars built before 09/07 without SA 606/609/663 only**
Signal generator front
- Q*** **For RHD cars built before 09/07 without SA 606/609/663 only**
Signal generator front
- S** Front PDC wiring harness
- T** Sensors
- Z** Switch centre, centre console

12. Installing the sensors at the rear (rear PDC retrofit)

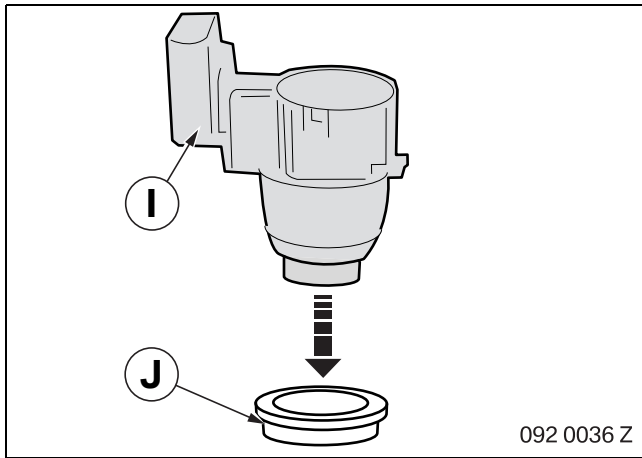


Clean and degrease the bumper trim (1) at the gluing points (2).

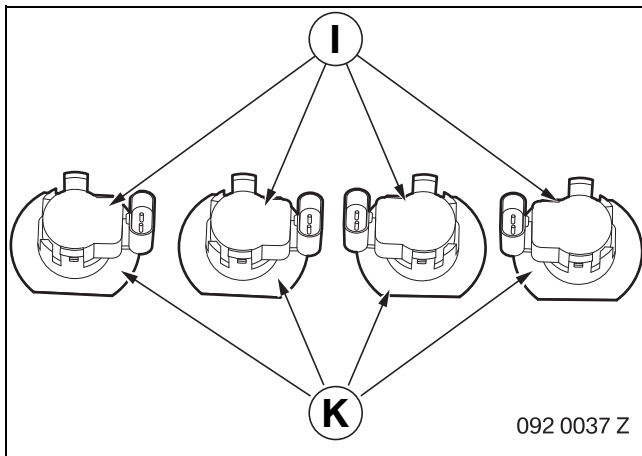
Drill through the bumper trim (1) in the centre of the marked holes (3) using a 3 mm twist drill bit.

Enlarge the holes in the bumper trim (1) using a 18 mm step drill.

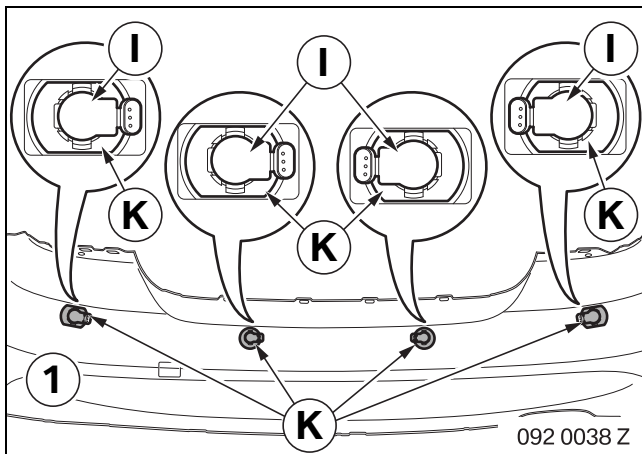
Deburr the edges of the holes.



Fit sensors **I** into disconnecting rings **J**.



Fit sensors **I** into sensor holders **K**.



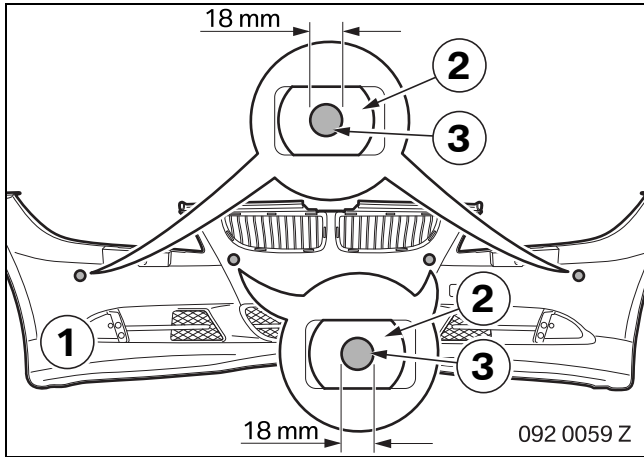
▶ Sensor holders **K** are coded. Check the descriptions on sensor holders **K**.

The connection plugs for sensors **I** point towards the inside of the bumper trim (1). ◀

Affix sensor holders **K** to the bumper trim (1) as per the descriptions:

- HI to the inside
- HA to the outside

13. Installing the front sensors (front PDC upgrade/retrofit)

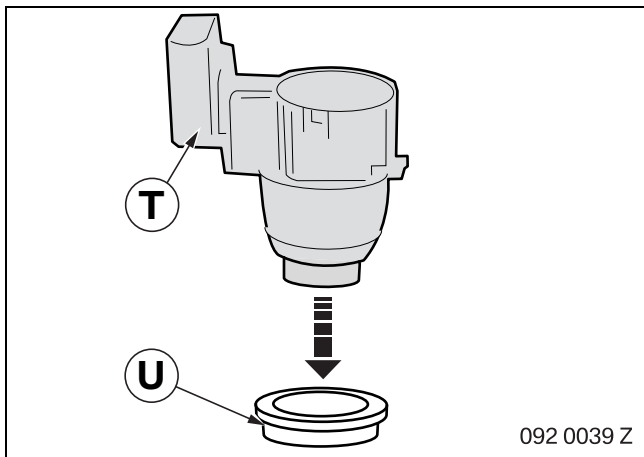


Clean and degrease the bumper trim (1) at the gluing points (2).

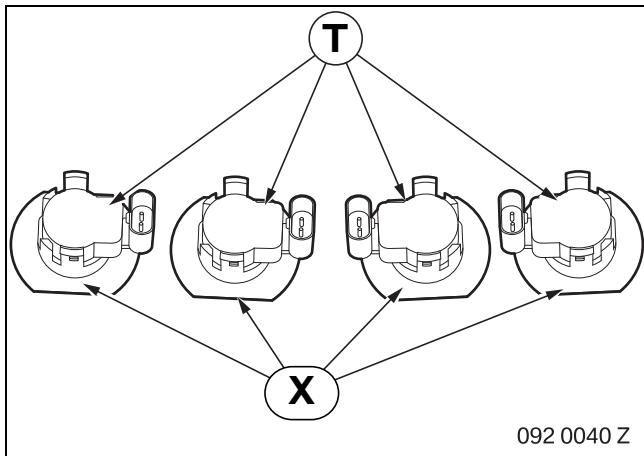
Drill through the bumper trim (1) in the centre of the marked holes (3) using a 3 mm twist drill bit.

Enlarge the holes in the bumper trim (1) using a 18 mm step drill.

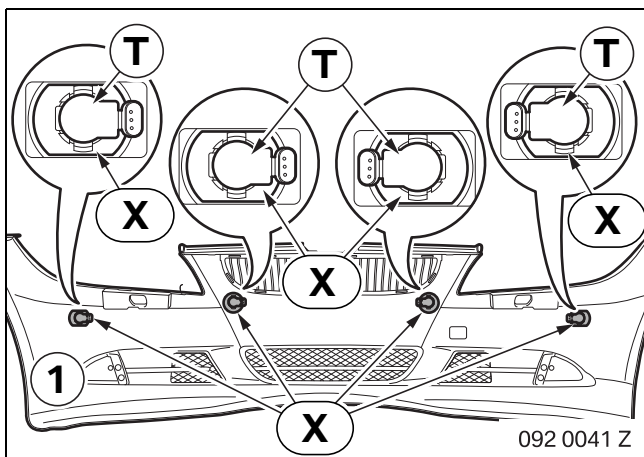
Deburr the edges of the holes.



Fit sensors **T** into disconnecting rings **U**.



Fit sensors **T** into sensor holders **X**.



☐ Sensor holders **X** are coded. Check the descriptions on sensor holders **X**.

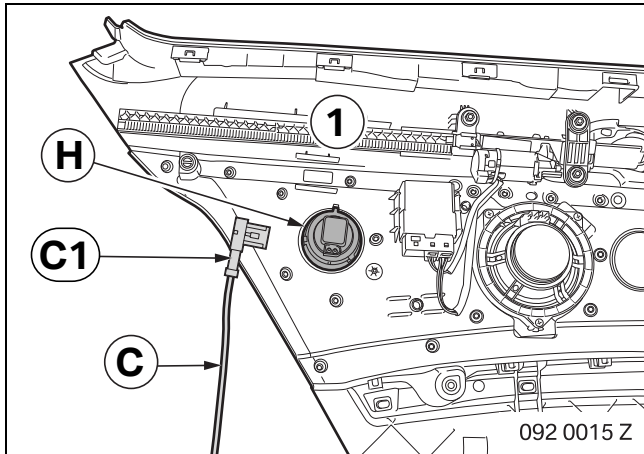
The connection plugs for sensors **T** point towards the inside of the bumper trim (1). ◀

Affix sensor holders **X** to the bumper trim (1) as per the descriptions:

- VLI to the left inside
- VRI to the right inside
- VA to the outside

14. Installing the signal generator (for cars built before 09/07 without SA 606/609/663 only)

Rear PDC retrofit



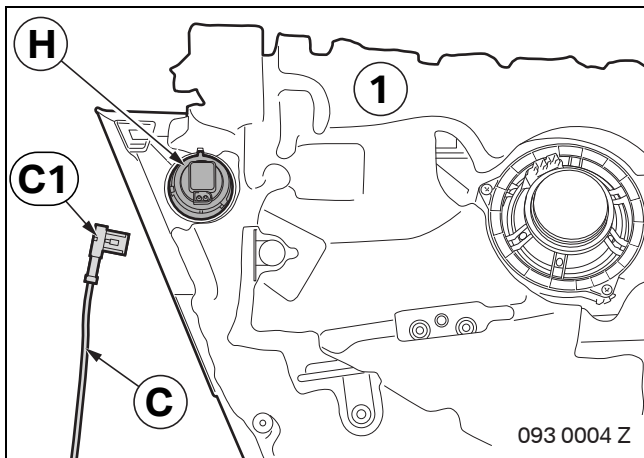
E92 only

Fit rear signal generator **H** into the side trim (1).

Connect branch **C1** to rear signal generator **H**.

Install the side trim (1) as described in TIS RA 51 43 002.

Route signal generator cable **C** along the standard wiring harness to the right-hand side of the boot.



E93 only

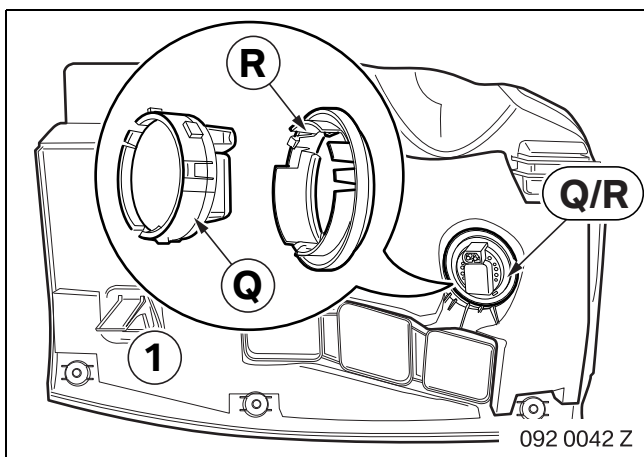
Fit rear signal generator **H** into the side trim (1).

Connect branch **C1** to rear signal generator **H**.

Install the side trim (1) as described in TIS RA 51 43,015.

Route signal generator cable **C** to right partition.


Front PDC upgrade/retrofit



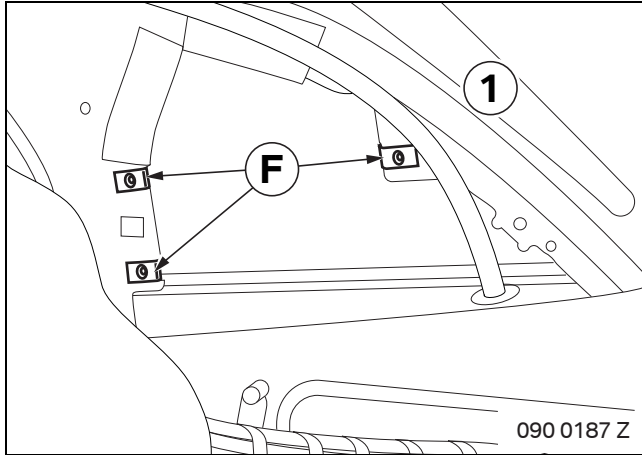
All cars

Clip front signal generator **Q** into adapter **R**.

Clip the adapter **R** into the pedal trim (1).

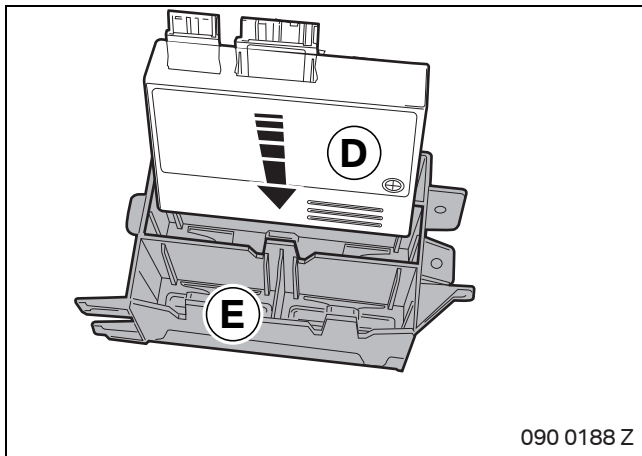
 The interlocks on front signal generator **Q**, adapter **R** and pedal trim (1) are coded. They will only fit into one position. ◀

15. To install the control module (E92 only)

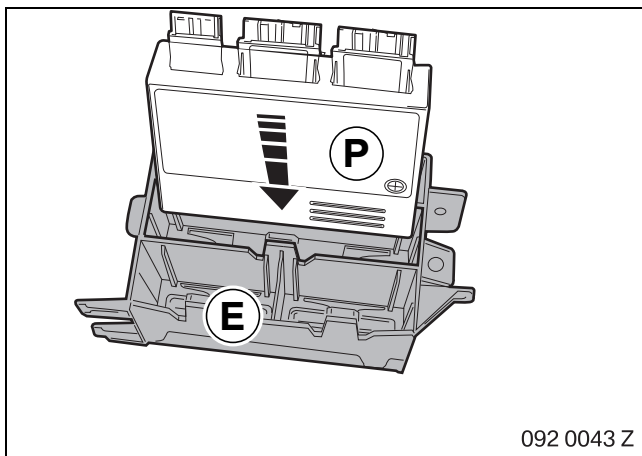


Rear PDC retrofit

Place speed nuts **F** into the right-hand boot side section (1).

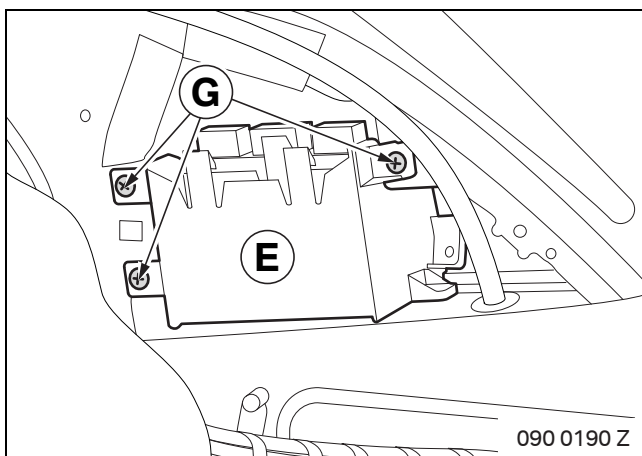


Insert control unit **D** into module holder **E**.



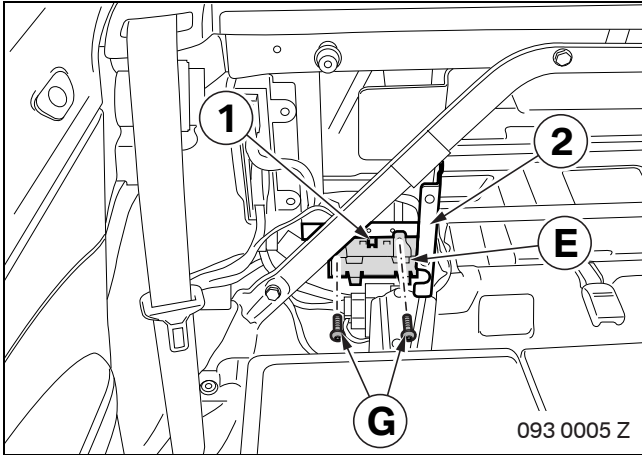
Front PDC upgrade/retrofit

Insert the control module **P** into the module holder **E**.

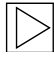


Insert module holder **E** into the right-hand boot side section and secure it with self-tapping screws **G**.

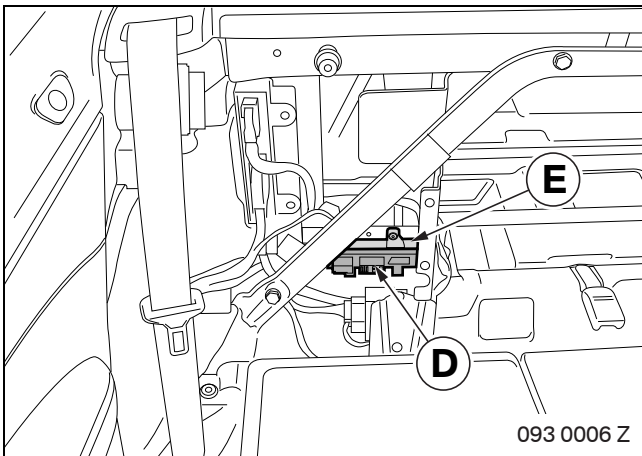
16. To install the control module (E93 only)



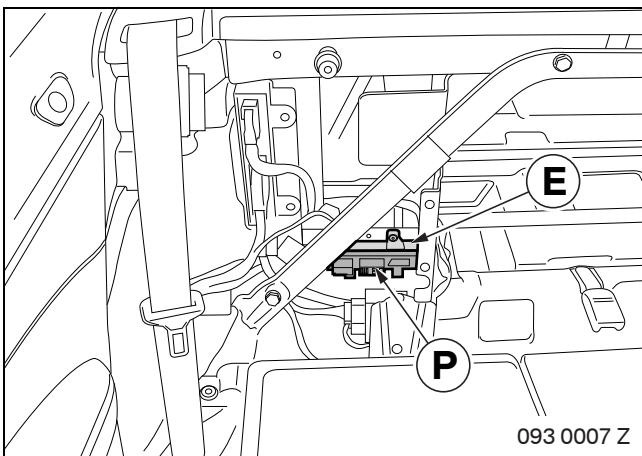
Rear PDC retrofit

 The module holder guide (1) **E** must be inserted into the brace (2). ◀

Insert module holder **E** into brace (2) and secure with screws **G**.



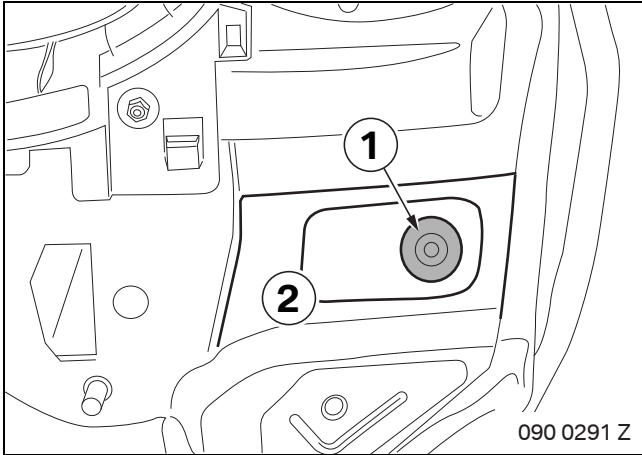
Insert control unit **D** into module holder **E**.



Front PDC upgrade/retrofit

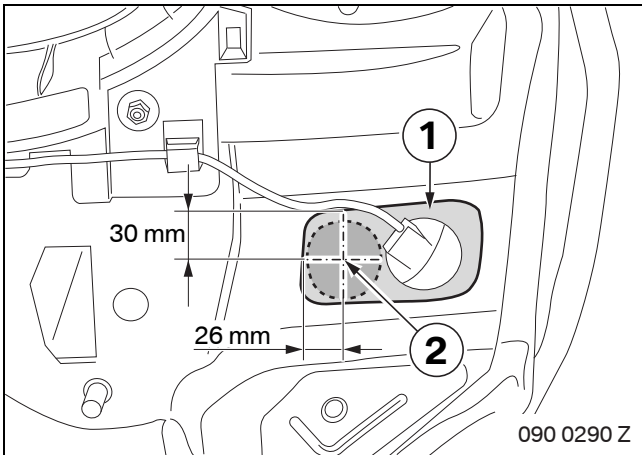
Insert the control module **P** into the module holder **E**.

17. To install and connect the rear PDC wiring harnesses (E92 only)



Cars without SA 235 only

Remove the sealing stopper (1) from the right rear closing panel (2).

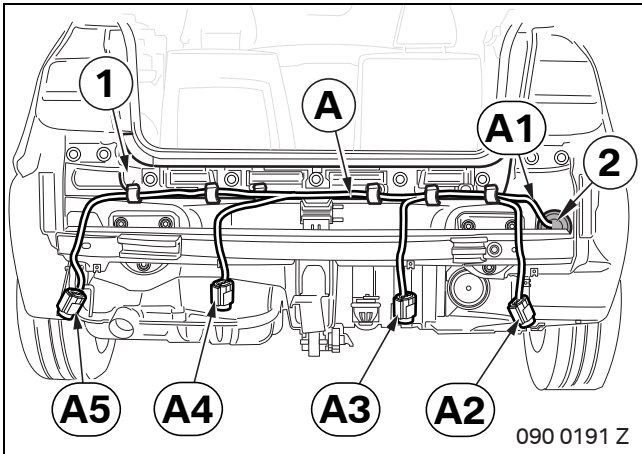


Cars with SA 235 only

Mark the specified dimensions on the rear closing panel (1).

Drill through the rear closing panel (1) at the drilling point (2) and enlarge the hole using a 40 mm step drill bit.

Deburr the hole and coat the bare surfaces with preservative.



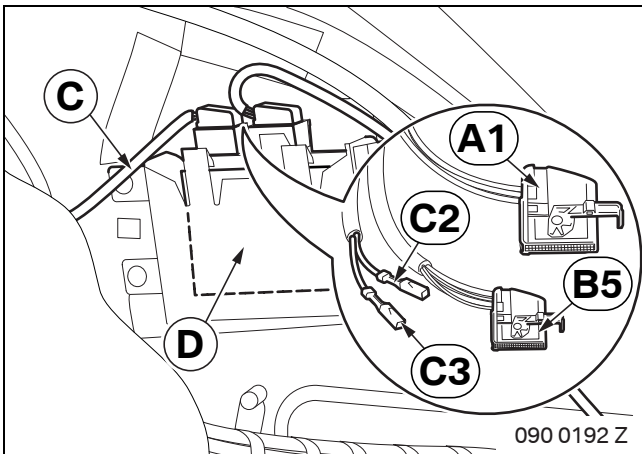
All cars

Route branch **A1** to the boot and insert the grommet (2).

Route rear PDC wiring harness **A** into the holding lugs on the holder (1).

Connect branches **A2–A5** to sensors **I** (not shown).

Fit the bumper trim.



For cars built before 09/07 without SA 606/609/663 only

Route signal generator cable **C** to control unit **D**.

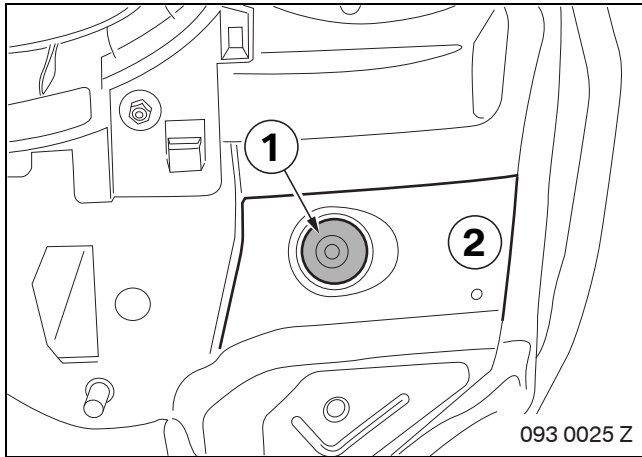
Connect branches **C2** and **C3** to branch **B5** as follows:

- Branch **C2**, BL/GN cable, to PIN 4
- Branch **C3**, SW/GN cable, to PIN 10

All cars

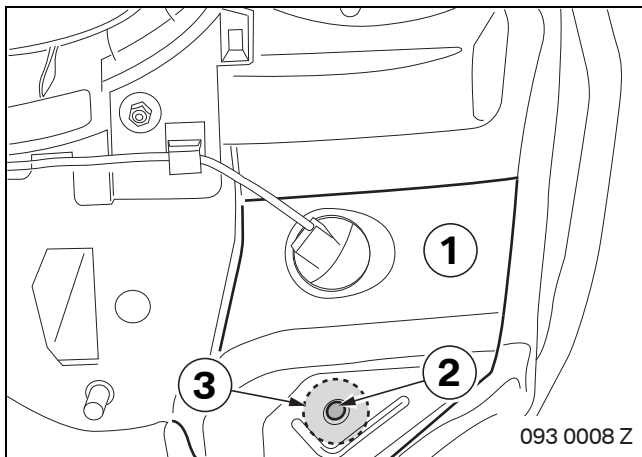
Connect branch **A1** and branch **B5** to the control module **D**.

18. To install and connect the rear PDC wiring harnesses (E93 only)

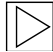


Cars without SA 235 only

Remove the sealing stopper (1) from the right rear closing panel (2).

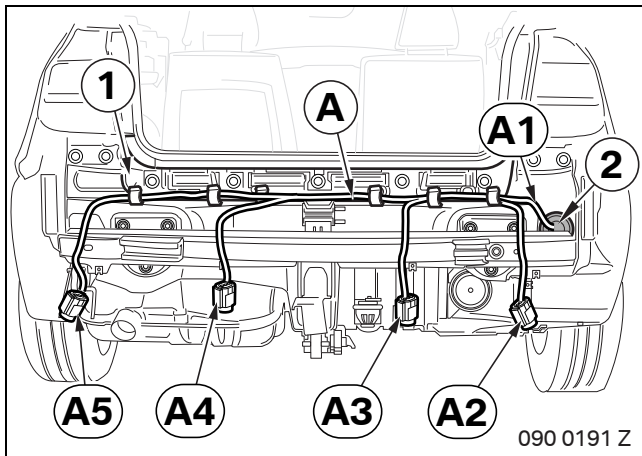


Cars with SA 235 only

 Remove the battery to prevent any damage when drilling. ◀

Drill through the rear closing panel (1) at the circular gradation (2) using a 40 mm step drill bit.

Deburr the hole (3) and prime the bare surfaces.



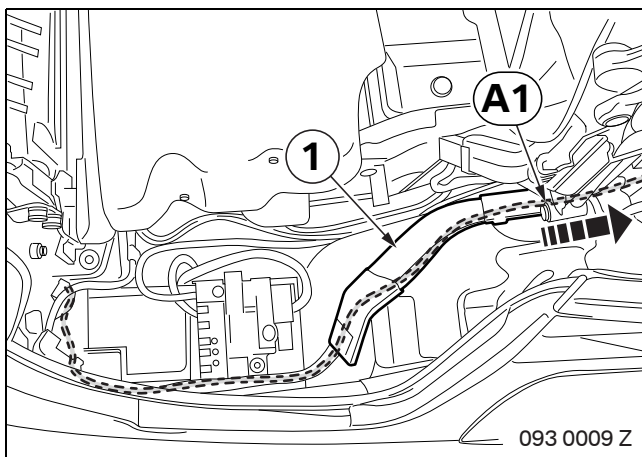
All cars

Route branch **A1** to the boot and insert the grommet (2).

Route rear PDC wiring harness **A** into the holding lugs on the holder (1).

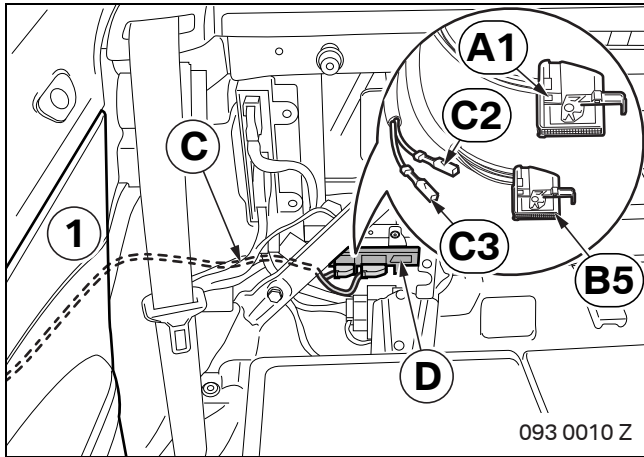
Connect branches **A2–A5** to sensors **I** (not shown).

Fit the bumper trim.



Route branch **A1** in the cable duct (1) along the standard wiring harness to the installation site of the control module **D** (not shown).

18. To install and connect the rear PDC wiring harnesses (E93 only)



For cars built before 09/07 without SA 606/609/663 only

Route signal generator cable **C** to control unit **D**.

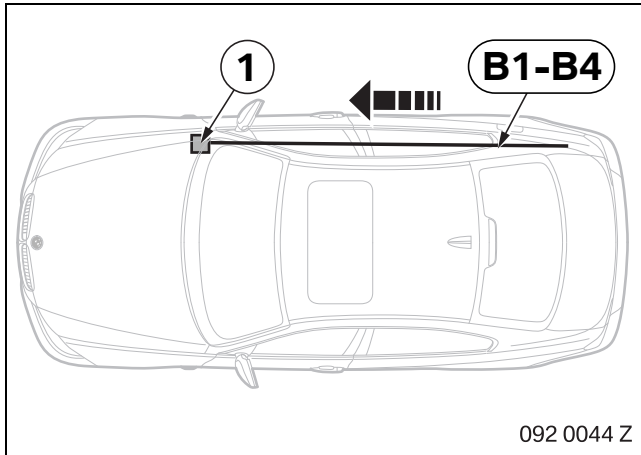
Connect branches **C2** and **C3** to branch **B5** as follows:

- Branch **C2**, BL/GN cable, to PIN 4
- Branch **C3**, SW/GN cable, to PIN 10

All cars

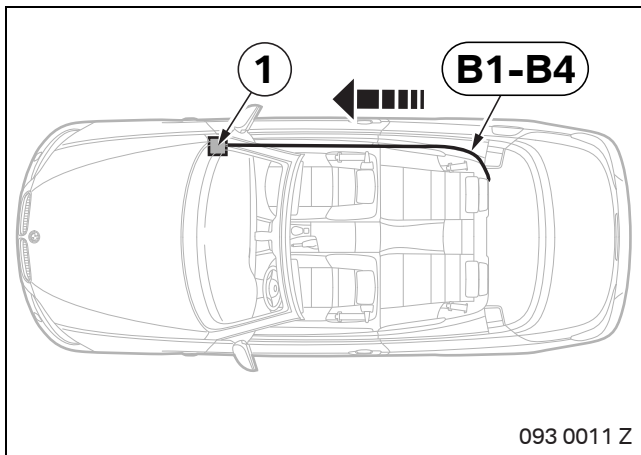
Connect branch **A1** and branch **B5** to the control module **D**.

19. To connect power supply



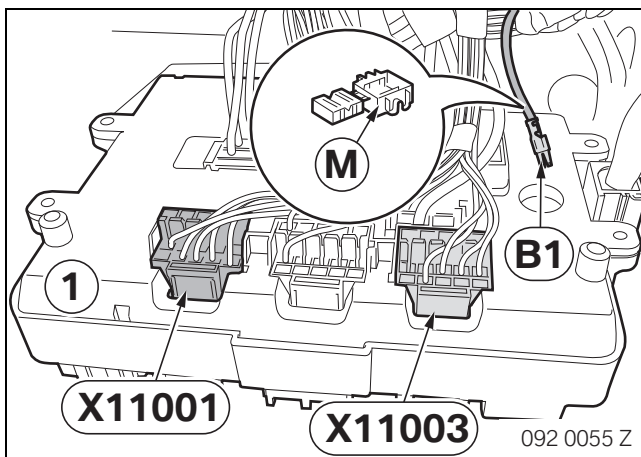
E92 only

Route branches **B1-B4** along the standard wiring harness to the fuse holder (1).



E93 only

Route branches **B1-B4** along the standard wiring harness to the fuse holder (1).



Cars built before 03/07 only

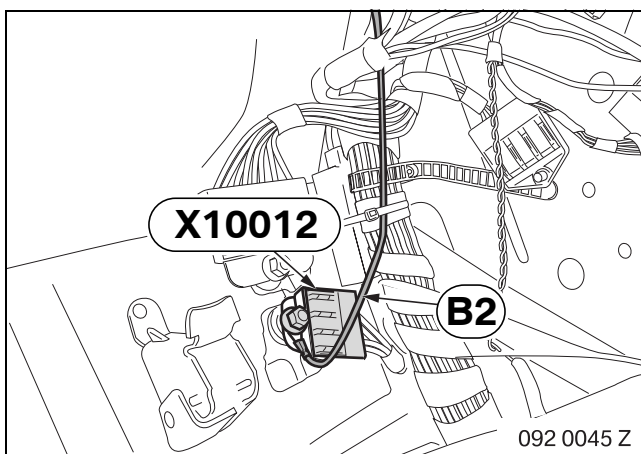
Connect branch **B1**, GN/WS cable, to PIN 8 of plug **X11003** (BL 15-pin).

If PIN 8 is already occupied, disconnect socket contact from branch **B1** and with miniature connector **M** connect to existing cable.

Cars built after 03/07 only

Connect branch **B1**, GN/WS cable, to PIN 7 of plug **X11001** (BL 15-pin).

If PIN 7 is already occupied, disconnect socket contact from branch **B1** and with miniature connector **M** connect to existing cable.

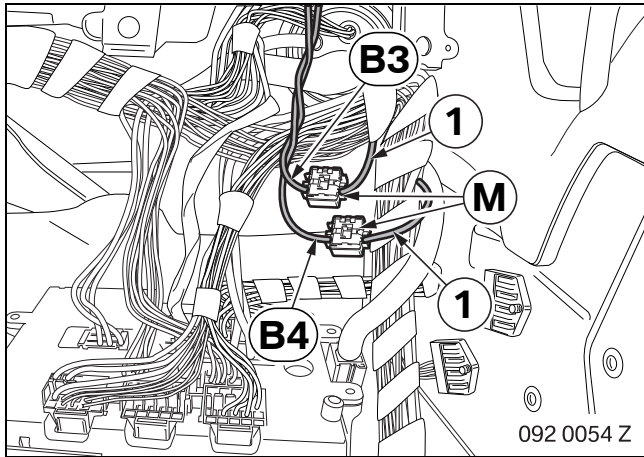


All cars

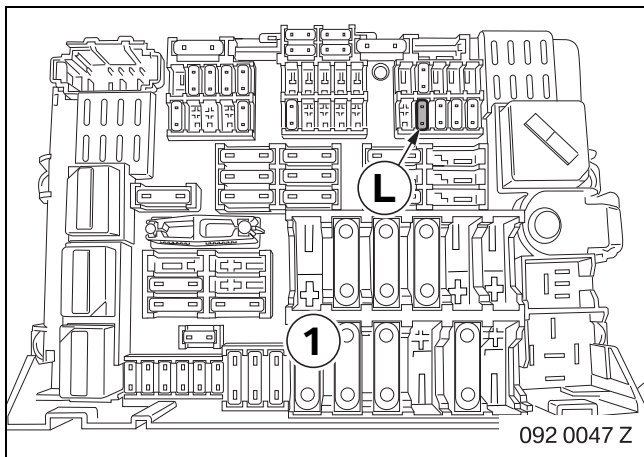
Route branch **B2**, brown/black cable, to the footwell on the passenger side.

Secure branch **B2** to joint connector **X10012** (cable colours BR/SW).

19. To connect power supply



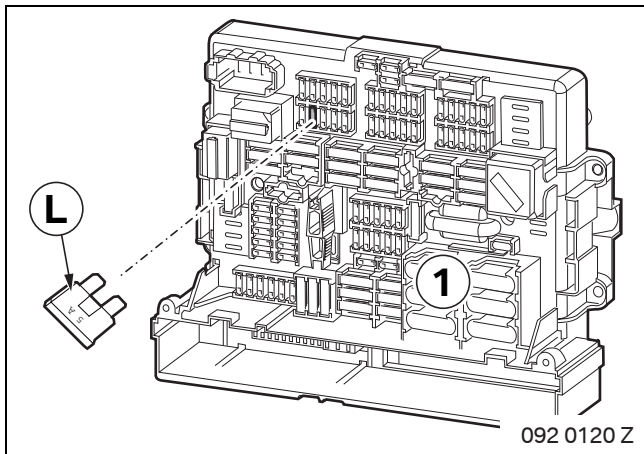
Connect branch **B3**, orange/green cable, and branch **B4**, green cable, to the cables of the same colours on the twisted cables (1) on the standard wiring harness using miniature connectors **M**.



Cars built before 03/07 only

Fit the fuse holder (1).

Insert fusible link **L** into slot F 28.

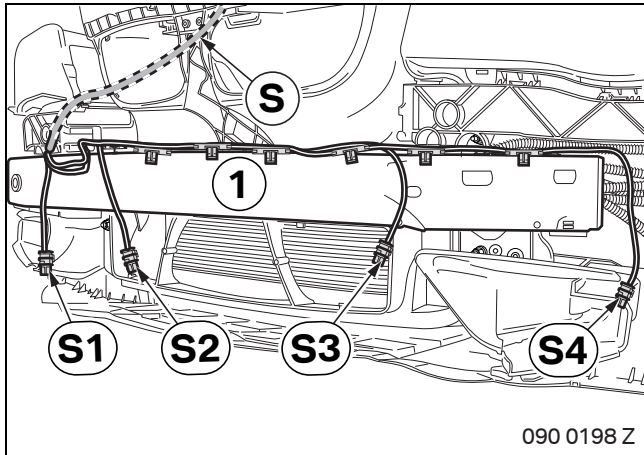


Cars built after 03/07 only

Fit the fuse holder (1).

Insert fusible link **L** into slot F 28.

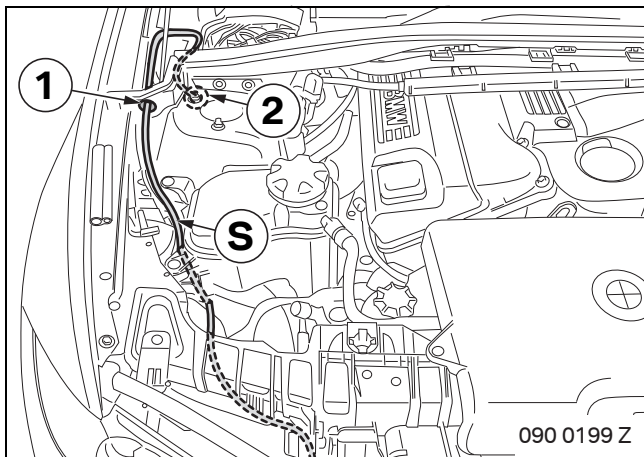
20. To install and connect the front PDC wiring harness (all cars)



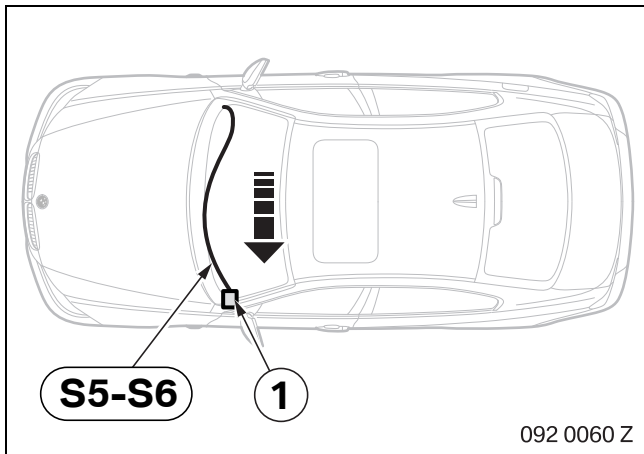
Connect front PDC wiring harness **A** to the holder (1) with cable ties and route it to behind the right headlight.

Connect branches **S1–S4** to sensors **T** (not shown).

Fit the bumper trim.



Route front PDC wiring harness **S** along the standard wiring harness through grommets (1) and (2) into the interior.

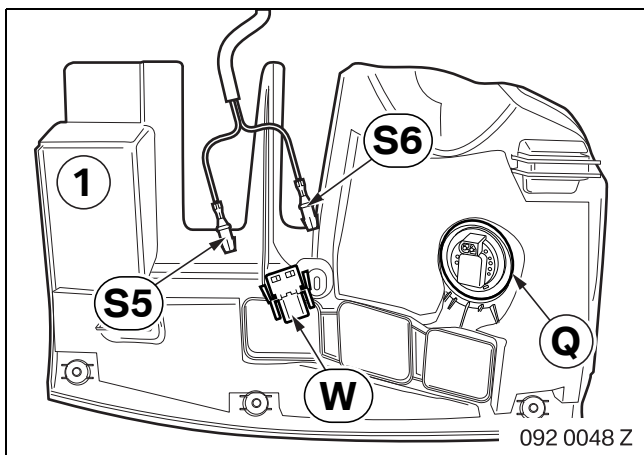


Only cars built after 09/07 or with SA 606/609/663

Insulate and tie back branch **S5**, blue/grey cable, and branch **S6**, black/red cable.

For cars built before 09/07 without SA 606/609/663 only

Route branch **S5**, blue/grey cable, and branch **S6**, black/red cable, along the standard wiring harness to the pedal trim (1).



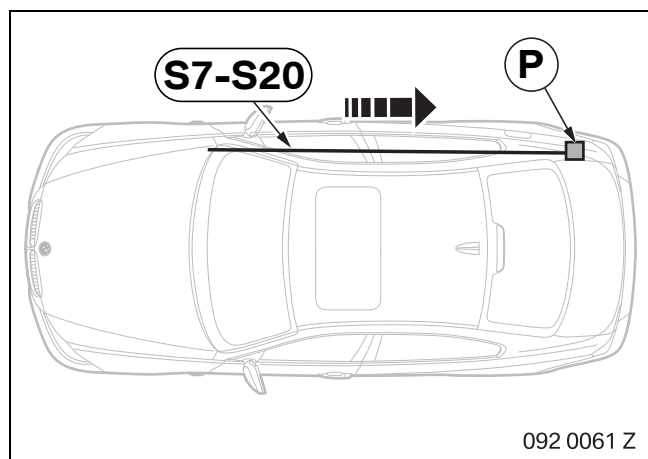
Connect branches **S5** and **S6** to socket casing **W** as follows:

- Branch **S5**, blue/grey cable, to PIN 1
- Branch **S6**, black/red cable, to PIN 2

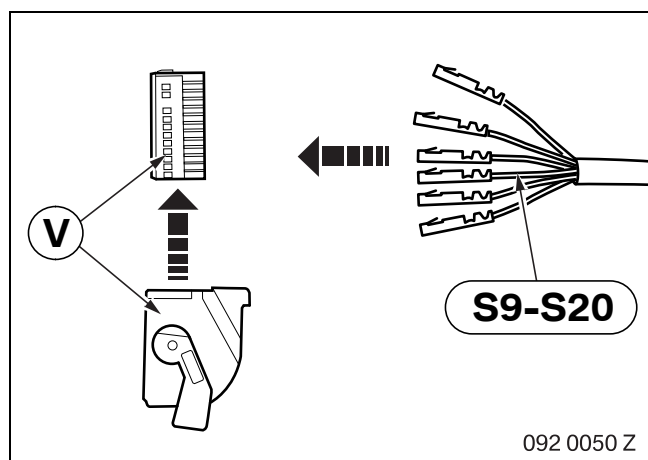
Connect socket casing **W** to front signal generator **Q**.

Fit the pedal trim (1).

21. To install and connect the front PDC wiring harnesses (E92 only)

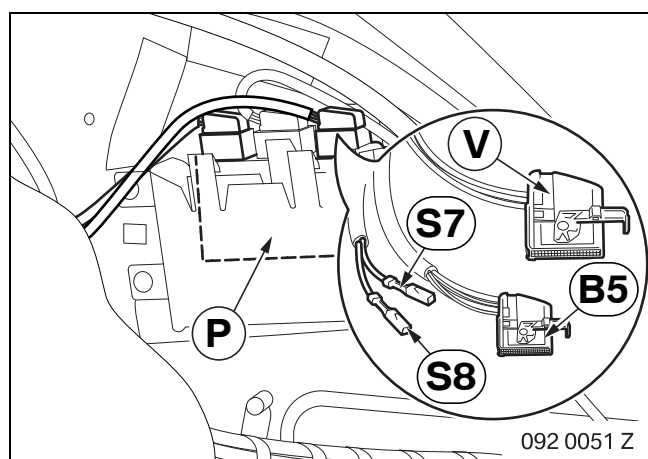


Route branches **S7–S20** along the standard wiring harness to control unit **P**.



Connect branches **S9–S20** to socket casing **V** as follows:

- Branch **S9**, green/violet cable, to PIN 8
- Branch **S10**, brown/yellow cable, to PIN 11
- Branch **S11**, yellow/brown cable, to PIN 17
- Branch **S12**, green/grey cable, to PIN 7
- Branch **S13**, brown/blue cable, to PIN 10
- Branch **S14**, yellow/black cable, to PIN 16
- Branch **S15**, green/brown cable, to PIN 6
- Branch **S16**, blue/black cable, to PIN 3
- Branch **S17**, yellow/green cable, to PIN 15
- Branch **S18**, green/black cable, to PIN 5
- Branch **S19**, blue/white cable, to PIN 2
- Branch **S20**, yellow/grey cable, to PIN 14



▶ In cars with an existing SA 507, branch **B5** corresponds to plug **X300** already fitted in the car. ◀

Only cars built after 09/07 or with SA 606/609/663

Insulate and tie back branches **S7** and **S8**.

For cars built before 09/07 without SA 606/609/663 only

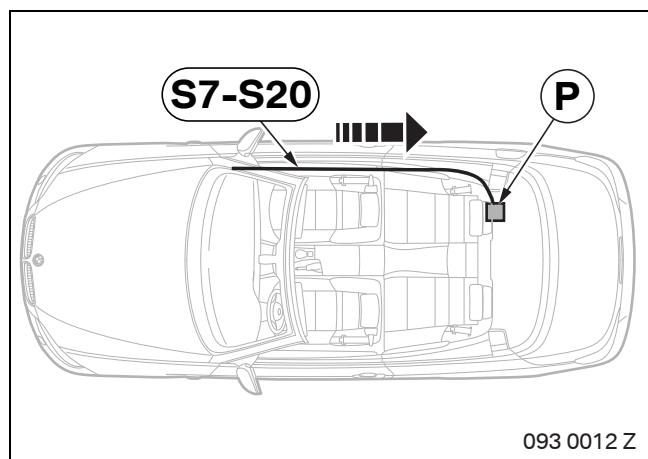
Connect branches **S7** and **S8** to branch **B5** as follows:

- Branch **S7**, blue/grey cable, to PIN 5
- Branch **S8**, black/red cable, to PIN 11

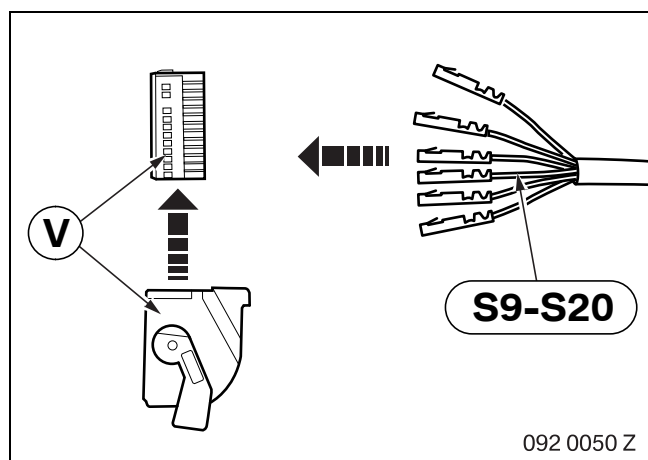
All cars

Connect branch **B5** and socket casing **V** on control unit **P**.

22. To install and connect the front PDC wiring harnesses (E93 only)

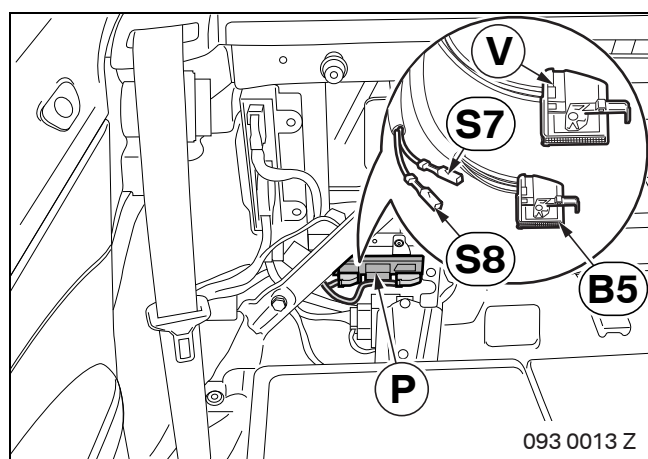



Route branches **S7-S20** along the standard wiring harness to control unit **P**.



Connect branches **S9-S20** to socket casing **V** as follows:

- Branch **S9**, green/violet cable, to PIN 8
- Branch **S10**, brown/yellow cable, to PIN 11
- Branch **S11**, yellow/brown cable, to PIN 17
- Branch **S12**, green/grey cable, to PIN 7
- Branch **S13**, brown/blue cable, to PIN 10
- Branch **S14**, yellow/black cable, to PIN 16
- Branch **S15**, green/brown cable, to PIN 6
- Branch **S16**, blue/black cable, to PIN 3
- Branch **S17**, yellow/green cable, to PIN 15
- Branch **S18**, green/black cable, to PIN 5
- Branch **S19**, blue/white cable, to PIN 2
- Branch **S20**, yellow/grey cable, to PIN 14



 In cars with an existing SA 507, branch **B5** corresponds to plug **X300** already fitted in the car. ◀

Only cars built after 09/07 or with SA 606/609/663

Insulate and tie back branches **S7** and **S8**.

For cars built before 09/07 without SA 606/609/663 only

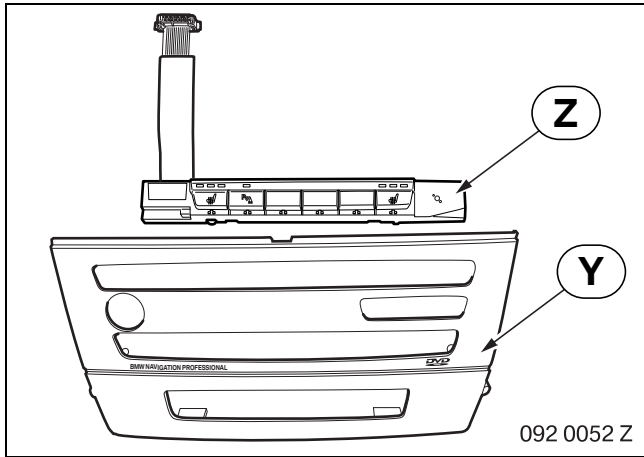
Connect branches **S7** and **S8** to branch **B5** as follows:

- Branch **S7**, blue/grey cable, to PIN 5
- Branch **S8**, black/red cable, to PIN 11

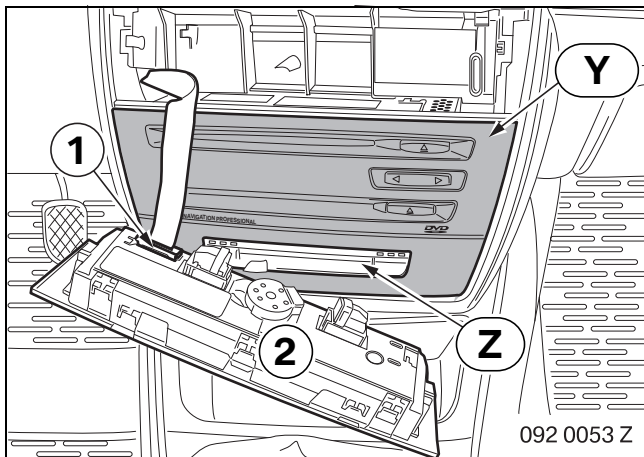
All cars

Connect branch **B5** and socket casing **V** on control unit **P**.

23. To install the centre console switch centre (front PDC upgrade/retrofit)



Clip the centre console switch centre **Z** into the trim **Y**.



Clip trim **Y** into the trim for the centre instrument panel.

Connect the plug (1) from centre console switch centre **Z** to the heating/air-conditioning control (2).

Clip in the heating/air-conditioning control (2).

24. Concluding work and coding

These retrofit systems require encoding.

- Connect the battery

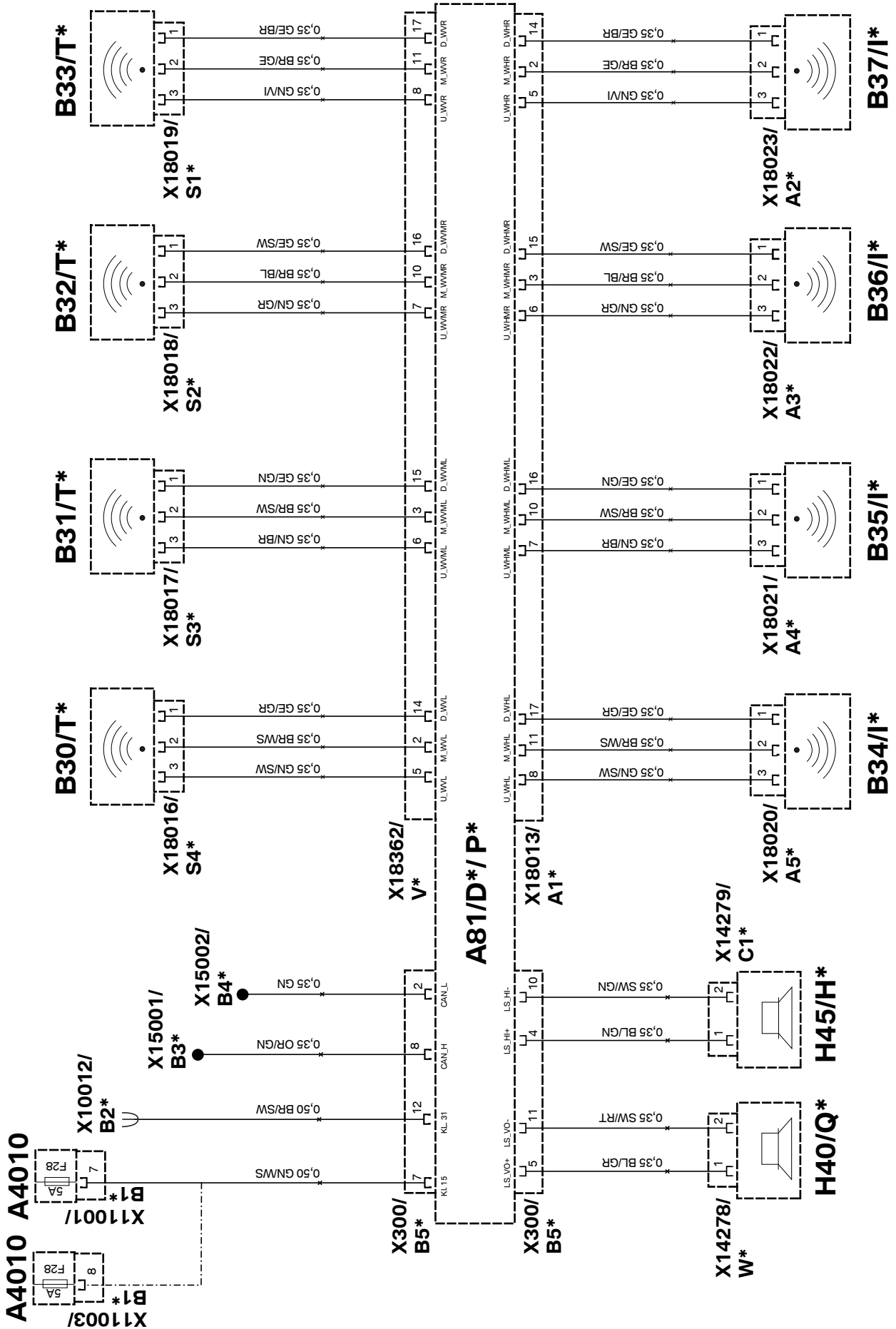
Cars with an existing rear PDC only

- Encode/program the front PDC retrofit via path **Conversion**

All cars

- Encode/program the retrofit via path **Retrofit**
- Conduct a brief test
- Conduct a function test
- Re-fit the car components as required

25. Front and rear PDC circuit diagram



25. Front and rear PDC circuit diagram

Legend

A81	Control unit, D* rear PDC and P* front PDC
A4010	Fuse holder
B30- B33	Front sensors, T*
B34- B37	Rear sensors, I*
H40	Front signal generator, Q* (for cars built before 09/07 without SA 606/609/663 only)
H45	Rear signal generator, H* (for cars built before 09/07 without SA 606/609/663 only)
X300	12-pin SW socket casing, B5*
X10012	Terminal 31 pick-up joint connector contact, B2*
X11001	15-pin BL socket casing, B1* (cars built after 03/07 only)
X11003	15-pin BL socket casing, B1* (cars built before 03/07 only)
X14278	2-pin SW socket casing, W* (cars built before 09/07 without SA 606/609/663 only)
X14279	2-pin SW socket casing, C1* (cars built before 09/07 without SA 606/609/663 only)
X15001	Open cable, CAN high pick-up, B3*
X15002	Open cable, CAN low pick-up, B4*
X18013	18-pin natural socket casing, A1*
X18016	3-pin SW socket casing, S4*
X18017	3-pin SW socket casing, S3*
X18018	3-pin SW socket casing, S2*
X18019	3-pin SW socket casing, S1*
X18020	SW 3-pin socket casing, A5*
X18021	3-pin SW socket casing, A4*
X18022	Black 3-pin socket casing, A3*
X18023	3-pin SW socket casing, A2*
X18362	18-pin SW socket casing, V*

All the designations marked with an asterisk (*) apply only to these installation instructions or this circuit diagram.

Cable colours

BL	Blue	OR	Orange
BR	Brown	RT	Red
GE	Yellow	SW	Black
GN	Green	VI	Violet
GR	Grey	WS	White